

## Recent Company News

- [Acquired KSA / ISO 9001:2000](#)
- [Acquired ISO / TS 16949:2002](#)

## Company Information

Company Information



**SW ELECTRONICS CO.,LTD specializes in manufacturing electronic parts such as micro switches, volume switches, and hinges.**

Address: Room 209, Anyang Megavalley #799, Gwanyang-dong,  
Dongan-gu, Anyang-si, Gyeonggi-do 431-767, Korea

Phone: 82-31-420-4611,2 / Fax: 82-31-420-4613

Email: [hspark49@gmail.com](mailto:hspark49@gmail.com)



### Micro S/W

View the catalogs and diagrams of micro switches manufactured at SW ELECTRONICS CO.,LTD



### Volume S/W

View the catalogs and diagrams of volume switches manufactured at SW ELECTRONICS CO.,LTD



### Hinge

View the catalogs and diagrams of hinges manufactured at SW ELECTRONICS CO.,LTD



For inquiries and consultations please contact us via [Email](#) or call 010-9456-2204

Recent Company News

- [Acquired KSA / ISO 9001:2000](#)
- [Acquired ISO / TS 16949:2002](#)

## CEO Introduction

☰ CEO Introduction

SW ELECTRONICS CO.,LTD is a manufacturing company specializes in micro switches and volume switches used in consumer goods such as cars, electronics, appliances and more.

SW ELECTRONICS CO.,LTD is focused on improving products quality and providing cost effective solutions to our clients.

At SW ELECTRONICS CO.,LTD, we firmly believe in innovations. We have been steadily growing by continous investments on our facilities and processes.

By acquiring ISO 9001:2000 certification, we consistently improved our quality control processes. Our primary goal is to provide higher quality of our line of products at more competitive price.

Also by acquiring ISO/TS 16949:2002 certification, we are improving quality of our products for automotive parts as well. SW ELECTRONICS CO.,LTD's business model is to adapt to the fast changing business market of 21st century.

We will ensure our clients that SW ELECTRONICS CO.,LTD will always work extra hard to provide quality products that will return maximum benefit to our clients.

Each and every individual employees here at SW ELECTRONICS CO.,LTD sincerely thank you for your business.



[Company Info](#)

[CEO Intro](#)

[History](#)

[Our Mission](#)

[Company Products](#)

[Contact Us](#)

Recent Company News

- [Acquired KSA / ISO 9001:2000](#)
- [Acquired ISO / TS 16949:2002](#)

## Company History

☰ Company History

Jan. 1998 Sinwoo Electronics founded (Anyang ManAn-Ku)

Jul. 2000 Machinery upgrades

Dec. 2001 Machinery upgrades and V.R.CKD export

Mar. 2002 Automated Machinery upgrades

Apr. 2003 Sinwoo Electronics moved to new location due to expansion (Anyang Megavalley)

Aug. 2004 Applied Micro S/W key number

Jan. 2006 Applied Micro S/W to automobile gear box

Dec. 2006 Achievement the quality management system(ISO9001:2000) Certificated dy SGS

May. 2007 Achievement the quality management system(ISO16949:2002)

Jan. 2008 Achievement the quality management system(ISO9001:2000) Certificated dy SGS

Apr. 2008 Achievement the quality management system(ISO16949:2002) Certificated dy SGS

May. 2009 SW ELECTRONICS CO.,LTD founded

Jan. 2010 TÜV SÜD certification acquired

Oct. 2010 UL product standards and compliance certification acquired



[Company Info](#)

[CEO Intro](#)

[History](#)

[Our Mission](#)

[Company Products](#)

[Contact Us](#)

Recent Company News

- [Acquired KSA / ISO 9001:2000](#)
- [Acquired ISO / TS 16949:2002](#)

## Company Goals

☰ Company Goals & Promises

### Transform

- Improve employees skills through up to date trainings
- Share critical values with clients and take actions
- Achieve client satisfaction from continous search for improvements

### Develop and secure competitive power

- Search for solutions from the core of the problems
- Improve manufacturing process efficiencies and integrate new technologies
- Broaden product lines and services

### Client Oriented Business

- Develop defect free products
- Build client trust by providing quality focused business
- Continuously seek for better quality products

## Recent Company News

- [Acquired KSA / ISO 9001:2000](#)
- [Acquired ISO / TS 16949:2002](#)

## SW ELECTRONICS CO.,LTD Products

☰ SW ELECTRONICS CO.,LTD Products

[View products catalog](#)

## Product Application

☰ Product Application

[View SW ELECTRONICS CO.,LTD products application](#)

## Development Information

☰ Development Info

[View current SW ELECTRONICS CO.,LTD developments](#)



### Micro S/W

View the catalogs and diagrams of micro switches manufactured at SW ELECTRONICS CO.,LTD



### Volume S/W

View the catalogs and diagrams of volume switches manufactured at SW ELECTRONICS CO.,LTD



### Hinge

View the catalogs and diagrams of hinges manufactured at SW ELECTRONICS CO.,LTD



For inquiries and consultations please contact us via [Email](#) or call 010-9456-2204

[Company Info](#)

[CEO Intro](#)

[History](#)

[Our Mission](#)

[Company Products](#)

[Contact Us](#)

Recent Company News

- [Acquired KSA / ISO 9001:2000](#)
- [Acquired ISO / TS 16949:2002](#)

## Product Catalog

☰ Product Catalog


### Micro S/W

	<p>Micro S/W J-TYPE</p> <p><a href="#">J-type S/W Catalog</a></p>		<p>Micro S/W S-TYPE</p> <p><a href="#">S-type S/W Catalog</a></p>
---	---	---	---

### Volume S/W

	<p>Volume Switch</p> <p><a href="#">Volume S/W Catalog</a></p>
--	--

### Hinge

	<p>Hinge</p> <p><a href="#">Hinge Catalog</a></p>
<p>IS42-035L</p>	
<p>3.6 kgf.mm</p>	

[Company Info](#)

[CEO Intro](#)

[History](#)

[Our Mission](#)

[Company Products](#)

[Contact Us](#)

Recent Company News

- [Acquired KSA / ISO 9001:2000](#)
- [Acquired ISO / TS 16949:2002](#)

## Product Catalog

Product Catalog

### Micro SW ( J - Type ) catalogs and diagrams

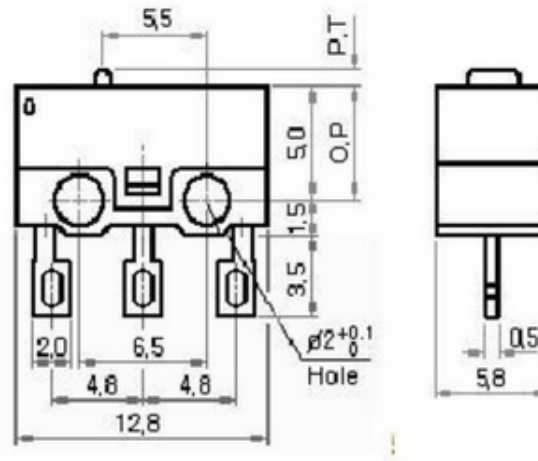
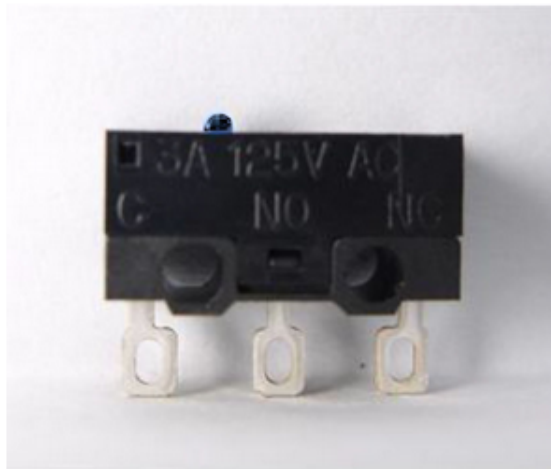
\*Specifications can be modified based on client requirements.

	<b>SJ3515-00</b> <a href="#">View diagram</a>		<b>SJ3515-06</b> <a href="#">View diagram</a>		<b>SJ3515-03</b> <a href="#">View diagram</a>		<b>SJ3516-00</b> <a href="#">View diagram</a>
	<b>SJ3516-01</b> <a href="#">View diagram</a>		<b>SJ3516-01A</b> <a href="#">View diagram</a>		<b>SJ3516-04A</b> <a href="#">View diagram</a>		<b>SJ3516-04C</b> <a href="#">View diagram</a>
	<b>SJ3516-05A</b> <a href="#">View diagram</a>		<b>SJ3516-05R</b> <a href="#">View diagram</a>		<b>SJ3516-07</b> <a href="#">View diagram</a>		

Recent Company News

- [Acquired KSA / ISO 9001:2000](#)
- [Acquired ISO / TS 16949:2002](#)

## SJ3515-00



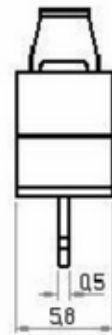
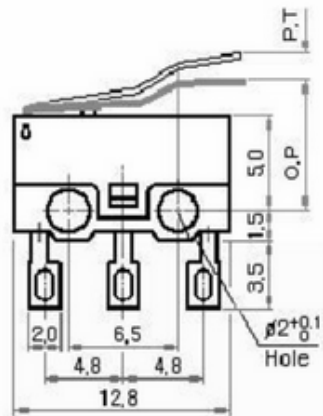
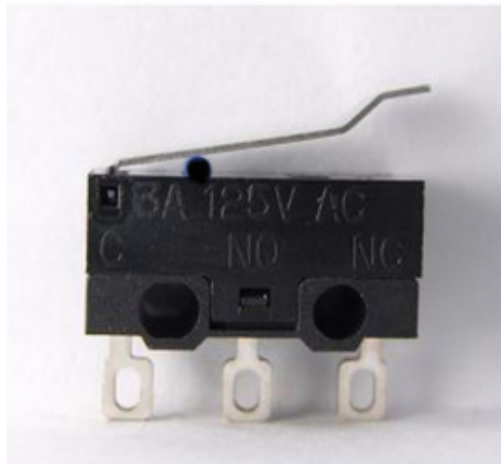
Model	3515 00
OF Max.	150 [g]
RF Min.	20 [g]
PT Max.	0.5 [mm]
OT Min.	0.2 [mm]
MD Max.	0.1 [mm]
OP [mm]	5.4 ± 0.12



Recent Company News

- [Acquired KSA / ISO 9001:2000](#)
- [Acquired ISO / TS 16949:2002](#)

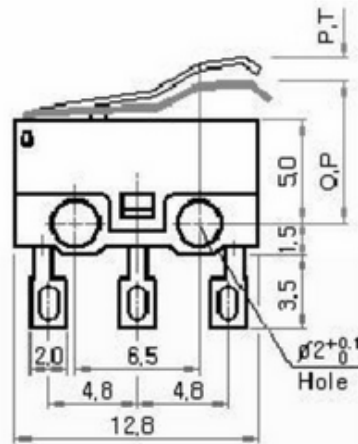
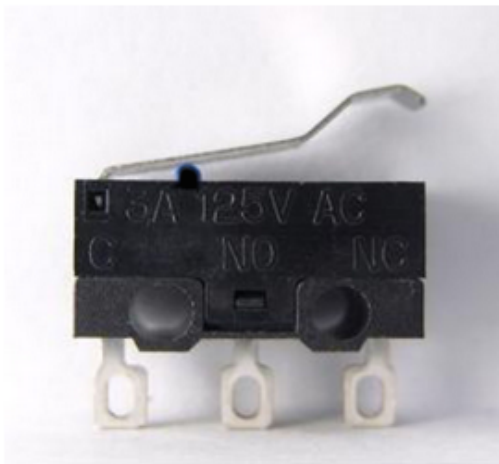
## SJ3515-06



Model	3515 06
OF Max.	50 [g]
RF Min.	5 [g]
PT Max.	1.8 [mm]
OT Min.	0.5 [mm]
MD Max.	0.5 [mm]
OP [mm]	7.7 ± 0.5

- [Acquired KSA / ISO 9001:2000](#)
- [Acquired ISO / TS 16949:2002](#)

## SJ3515-03

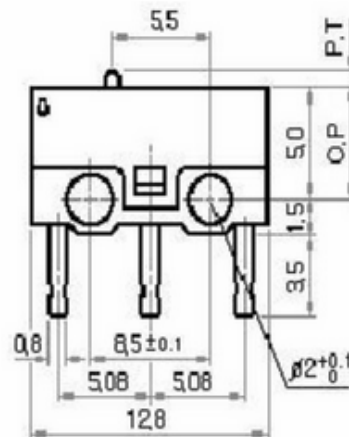
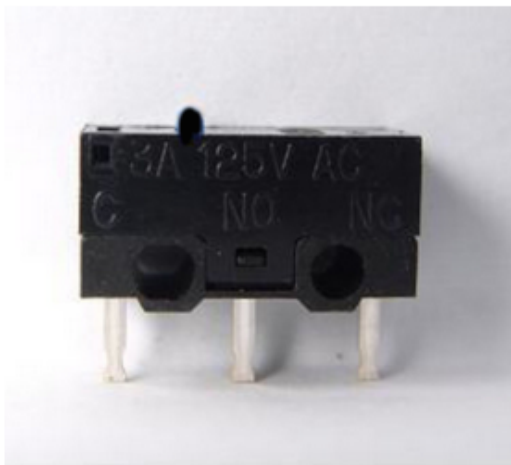


Model	3515 03
OF Max.	50 [g]
RF Min.	5 [g]
PT Max.	1.8 [mm]
OT Min.	0.5 [mm]
MD Max.	0.5 [mm]
OP [mm]	8.0 ± 0.5

Recent Company News

- [Acquired KSA / ISO 9001:2000](#)
- [Acquired ISO / TS 16949:2002](#)

## SJ3516-00

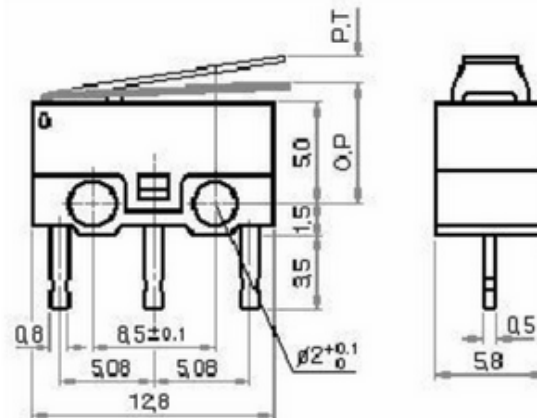
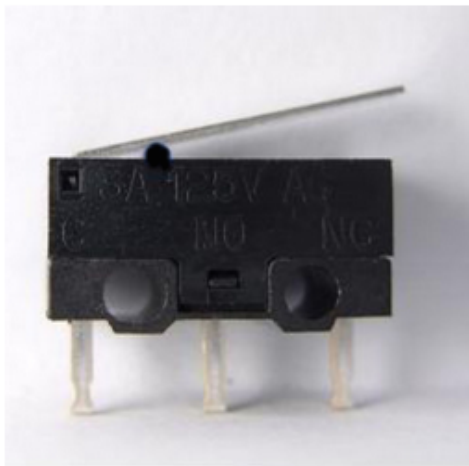


Model	3516 00
OF Max.	150 [g]
RF Min.	20 [g]
PT Max.	0.5 [mm]
OT Min.	0.2 [mm]
MD Max.	0.1 [mm]
OP [mm]	5.4 ± 0.12

Recent Company News

- [Acquired KSA / ISO 9001:2000](#)
- [Acquired ISO / TS 16949:2002](#)

## SJ3516-01

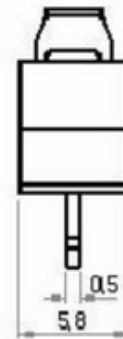
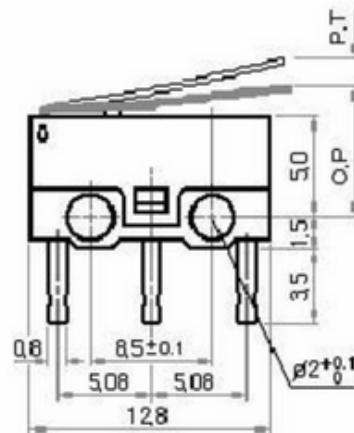
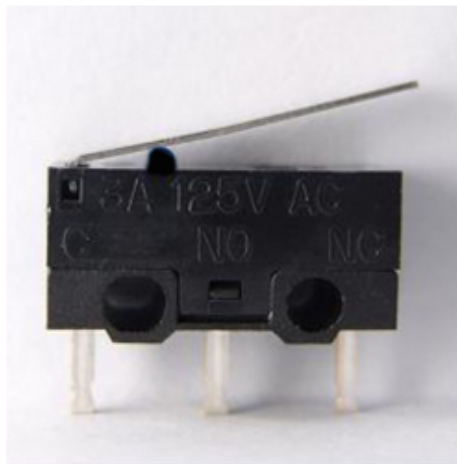


Model	3516 01
OF Max.	50 [g]
RF Min.	5 [g]
PT Max.	1.8 [mm]
OT Min.	0.5 [mm]
MD Max.	0.5 [mm]
OP [mm]	6.7 ± 0.8

Recent Company News

- [Acquired KSA / ISO 9001:2000](#)
- [Acquired ISO / TS 16949:2002](#)

## SJ3516-01A

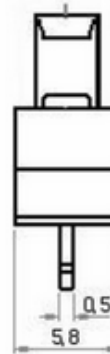
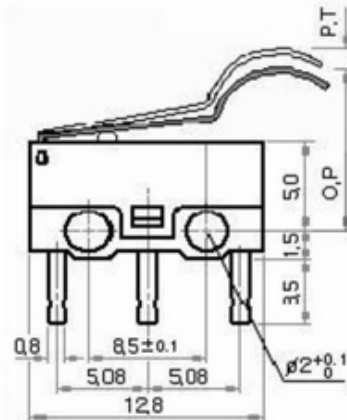
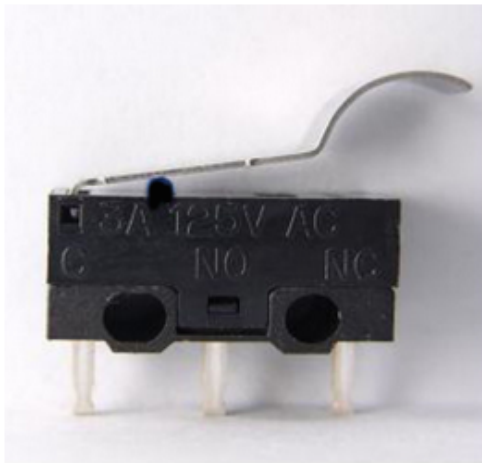


Model	3516 01A
OF Max.	50 [g]
RF Min.	5 [g]
PT Max.	1.8 [mm]
OT Min.	0.5 [mm]
MD Max.	0.5 [mm]
OP [mm]	7.0 ± 0.8

Recent Company News

- [Acquired KSA / ISO 9001:2000](#)
- [Acquired ISO / TS 16949:2002](#)

## SJ3516-04A

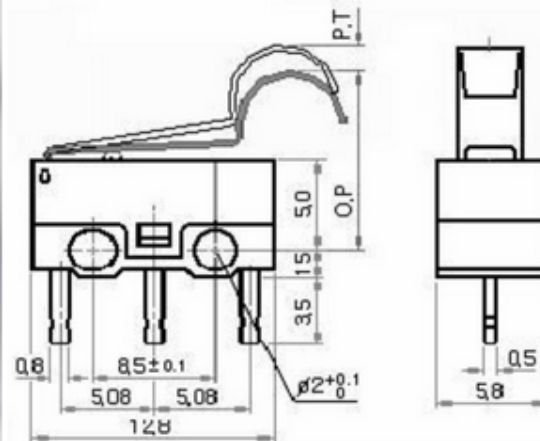
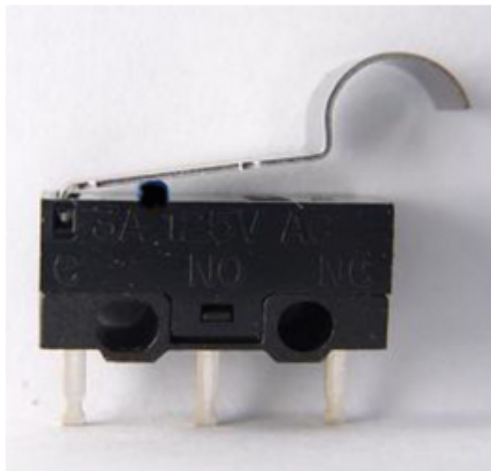


Model	3516 04A
OF Max.	50 [g]
RF Min.	5 [g]
PT Max.	1.8 [mm]
OT Min.	0.55[mm]
MD Max.	0.5 [mm]
OP [mm]	9.5 ± 0.6

Recent Company News

- [Acquired KSA / ISO 9001:2000](#)
- [Acquired ISO / TS 16949:2002](#)

## SJ3516-04C

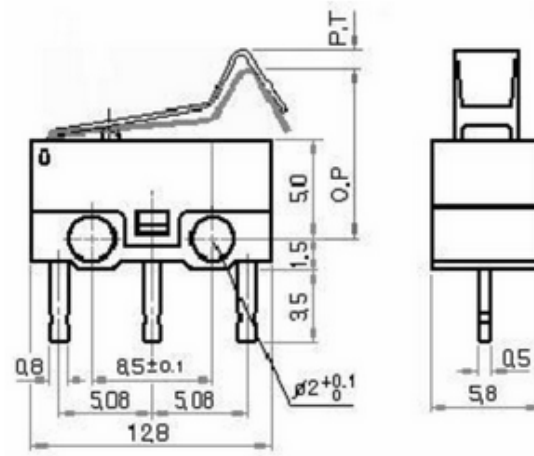


Model	3516 04C
OF Max.	50 [g]
RF Min.	5 [g]
PT Max.	1.8 [mm]
OT Min.	0.2 [mm]
MD Max.	0.5 [mm]
OP [mm]	9.4 ± 0.5

Recent Company News

- [Acquired KSA / ISO 9001:2000](#)
- [Acquired ISO / TS 16949:2002](#)

## SJ3516-05A



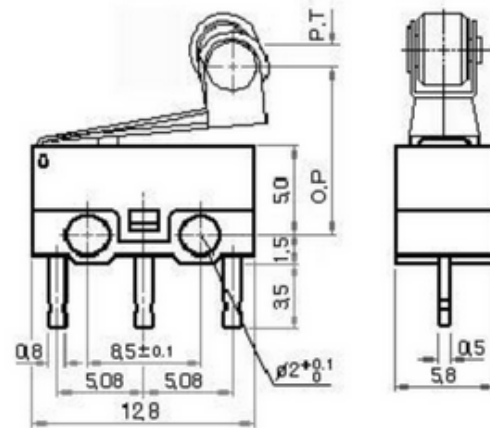
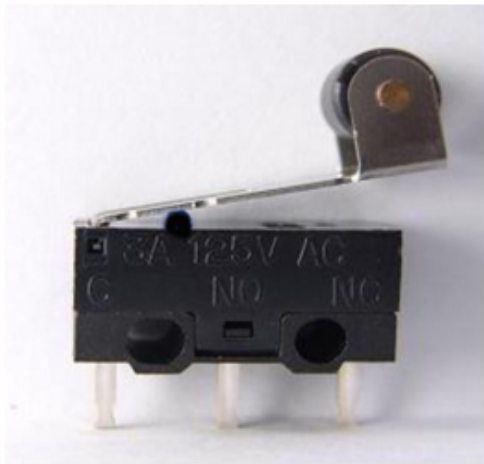
Model	3516 05A
OF Max.	50 [g]
RF Min.	5 [g]
PT Max.	1.5 [mm]
OT Min.	0.3 [mm]
MD Max.	0.5 [mm]
OP [mm]	9.5 ± 0.2



Recent Company News

- [Acquired KSA / ISO 9001:2000](#)
- [Acquired ISO / TS 16949:2002](#)

## SJ3515-05R

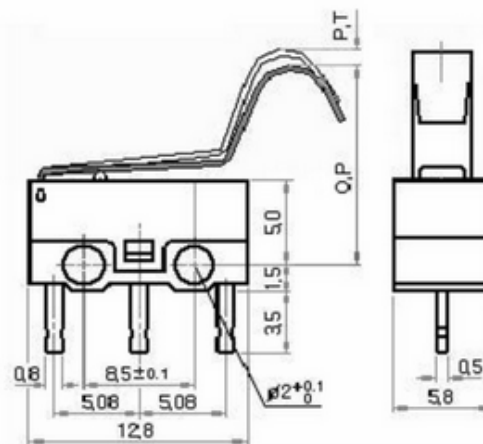
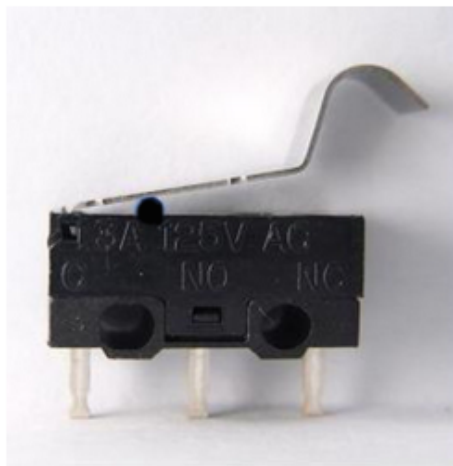


Model	3516 05R
OF Max.	50 [g]
RF Min.	5 [g]
PT Max.	1.8 [mm]
OT Min.	0.5 [mm]
MD Max.	0.5 [mm]
OP [mm]	11.6 ± 0.8

Recent Company News

- [Acquired KSA / ISO 9001:2000](#)
- [Acquired ISO / TS 16949:2002](#)

## SJ3516-07



Model	3516 07
OF Max.	50 [g]
RF Min.	5 [g]
PT Max.	1.5 [mm]
OT Min.	0.3 [mm]
MD Max.	0.5 [mm]
OP [mm]	11.7 ± 0.6

[Company Info](#)

[CEO Intro](#)

[History](#)

[Our Mission](#)

[Company Products](#)

[Contact Us](#)

Recent Company News

- [Acquired KSA / ISO 9001:2000](#)
- [Acquired ISO / TS 16949:2002](#)


## Product Catalog

☰ Product Catalog

### Micro SW ( S - Type ) catalogs and diagrams

\*Specifications can be modified based on client requirements.

	<b>1210-00</b> <a href="#">View diagram</a>		<b>1210-01</b> <a href="#">View diagram</a>		<b>1215-00</b> <a href="#">View diagram</a>		<b>1215-01</b> <a href="#">View diagram</a>
	<b>1215-24</b> <a href="#">View diagram</a>		<b>1217-01</b> <a href="#">View diagram</a>		<b>1230-23</b> <a href="#">View diagram</a>		<b>1230-23e</b> <a href="#">View diagram</a>
	<b>1230-24e</b> <a href="#">View diagram</a>		<b>1238-01</b> <a href="#">View diagram</a>		<b>2210-04</b> <a href="#">View diagram</a>		<b>2215-01</b> <a href="#">View diagram</a>
	<b>2215-03</b> <a href="#">View diagram</a>		<b>2215-04</b> <a href="#">View diagram</a>		<b>2215-05</b> <a href="#">View diagram</a>		<b>2215-08</b> <a href="#">View diagram</a>

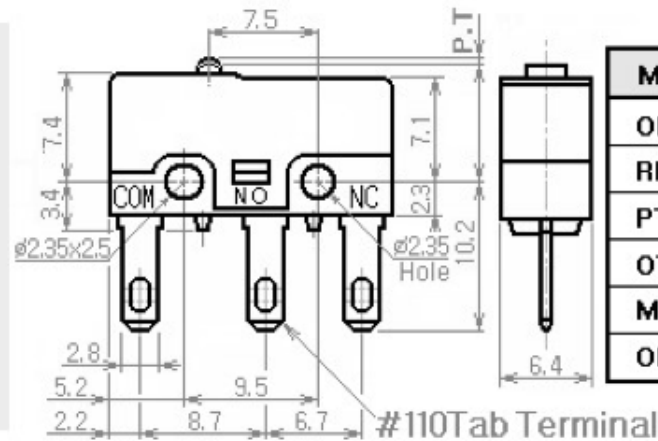
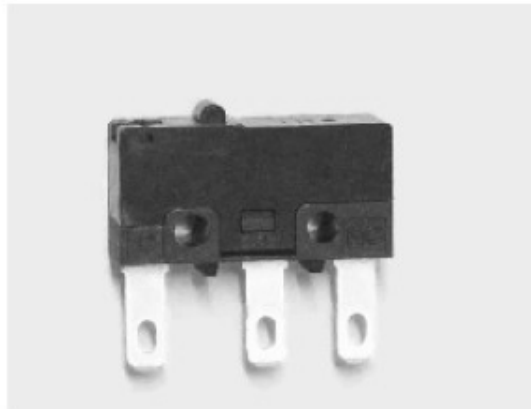
	<p><b>2215-09</b>  <a href="#">View diagram</a></p>		<p><b>2215-10</b>  <a href="#">View diagram</a></p>		<p><b>2215-13</b>  <a href="#">View diagram</a></p>		<p><b>2215-31</b>  <a href="#">View diagram</a></p>
	<p><b>2215-51</b>  <a href="#">View diagram</a></p>		<p><b>2216-01</b>  <a href="#">View diagram</a></p>		<p><b>2216-13</b>  <a href="#">View diagram</a></p>		<p><b>2220-01</b>  <a href="#">View diagram</a></p>
	<p><b>2230-00</b>  <a href="#">View diagram</a></p>						

Recent Company News

- [Acquired KSA / ISO 9001:2000](#)
- [Acquired ISO / TS 16949:2002](#)

## 1210-00

☒ 1210-00



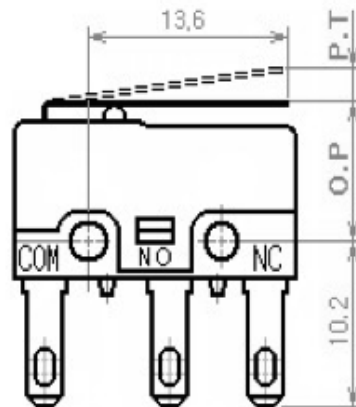
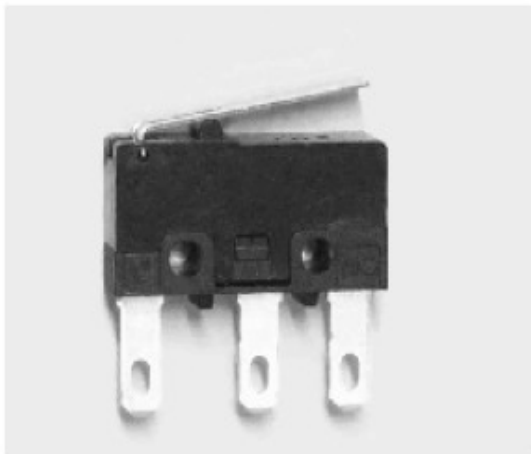
Model	1210 00
OF Max.	150 [g]
RF Min.	10 [g]
PT Max.	0.8 [mm]
OT Min.	0.4 [mm]
MD Max.	0.3 [mm]
OP [mm]	8.0 ± 0.5

Recent Company News

- [Acquired KSA / ISO 9001:2000](#)
- [Acquired ISO / TS 16949:2002](#)

## 1210-01

☒ 1210-01



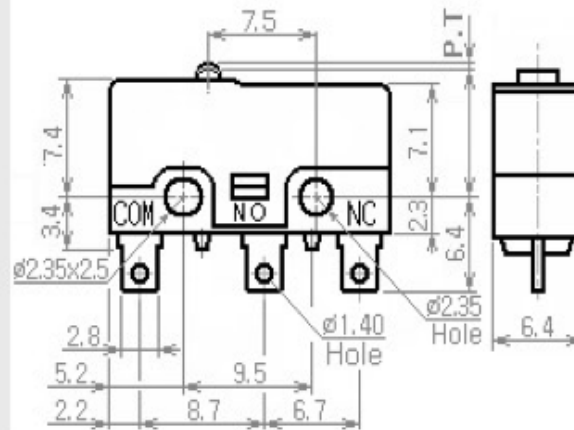
Model	1210 01
OF Max.	50 [g]
RF Min.	3 [g]
PT Max.	2.8 [mm]
OT Min.	1.0 [mm]
MD Max.	1.0 [mm]
OP [mm]	8.8 ± 0.8

Recent Company News

- [Acquired KSA / ISO 9001:2000](#)
- [Acquired ISO / TS 16949:2002](#)

## 1215-00

☒ 1215-00



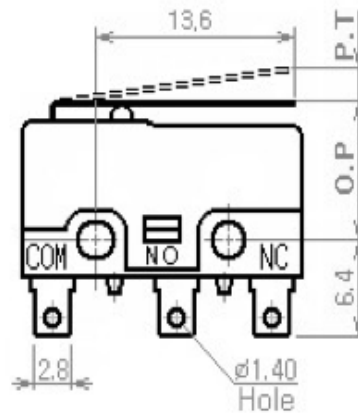
Model	1215 00
OF Max.	150 [g]
RF Min.	10 [g]
PT Max.	0.8 [mm]
OT Min.	0.4 [mm]
MD Max.	0.3 [mm]
OP [mm]	8.0 ± 0.5

Recent Company News

- [Acquired KSA / ISO 9001:2000](#)
- [Acquired ISO / TS 16949:2002](#)

## 1215-01

☒ 1215-01



Model	1215 01
OF Max.	50 [g]
RF Min.	3 [g]
PT Max.	2.8 [mm]
OT Min.	1.0 [mm]
MD Max.	1.0 [mm]
OP [mm]	8.8 ± 0.8

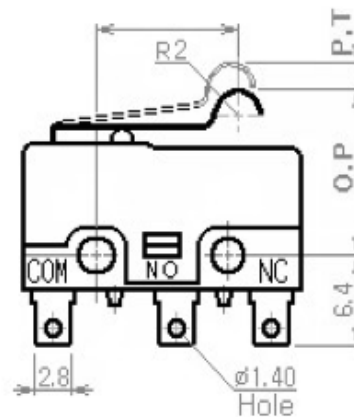
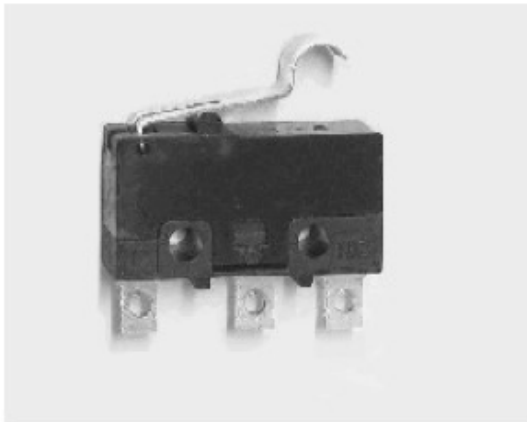


Recent Company News

- [Acquired KSA / ISO 9001:2000](#)
- [Acquired ISO / TS 16949:2002](#)

## 1215-24

☐ 1215-24



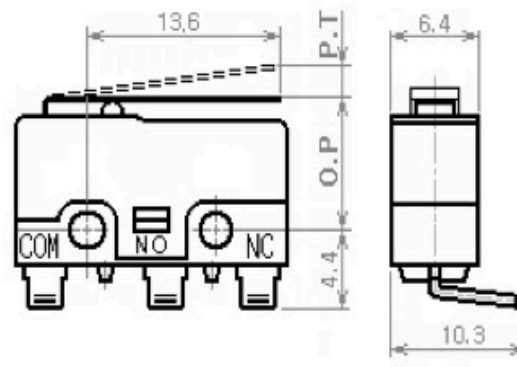
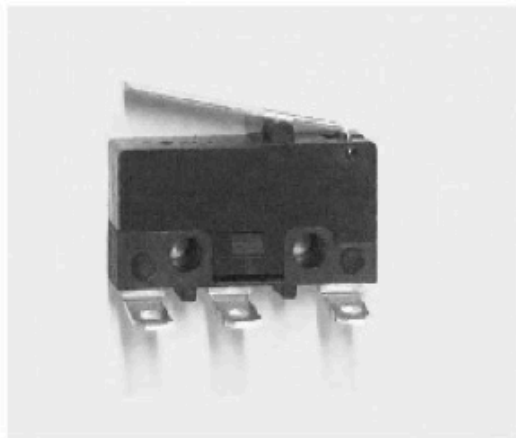
Model	1215 24
OF Max.	50 [g]
RF Min.	3 [g]
PT Max.	3.0 [mm]
OT Min.	1.0 [mm]
MD Max.	1.0 [mm]
OP [mm]	12.0 ± 1.0

Recent Company News

- [Acquired KSA / ISO 9001:2000](#)
- [Acquired ISO / TS 16949:2002](#)

## 1217-01

☰ 1217-01



### ■ RIGHT ANGLE TYPE

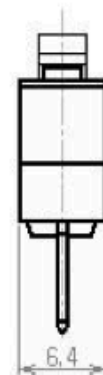
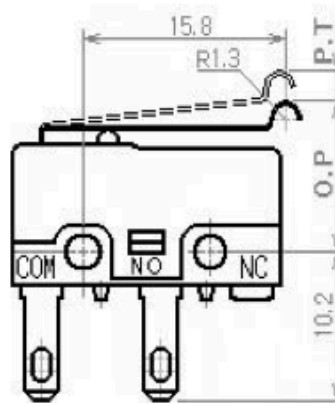
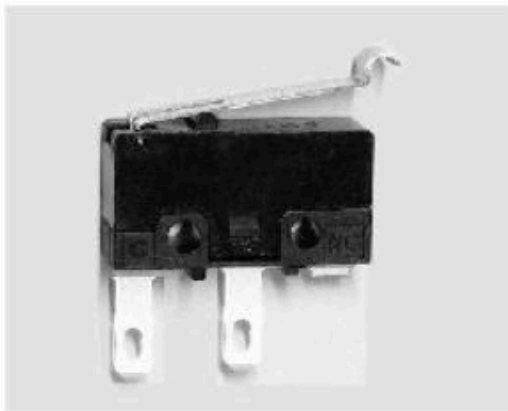
Model	1217 01
OF Max.	50 [g]
RF Min.	3 [g]
PT Max.	2.8 [mm]
OT Min.	1.0 [mm]
MD Max.	1.0 [mm]
OP [mm]	8.8 ± 0.8

Recent Company News

- [Acquired KSA / ISO 9001:2000](#)
- [Acquired ISO / TS 16949:2002](#)

## 1230-23

☰ 1230-23



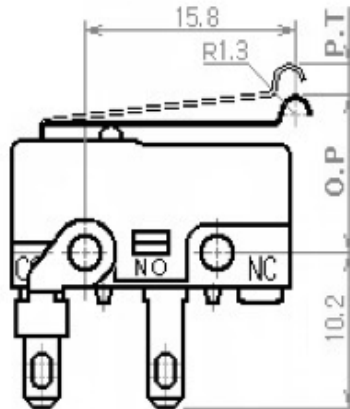
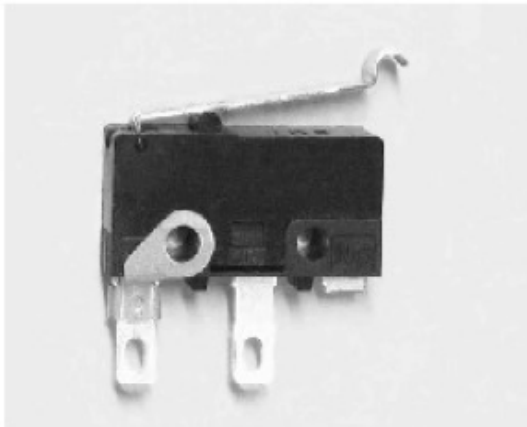
Model	1230 23
OF Max.	50 [g]
RF Min.	3 [g]
PT Max.	2.8 [mm]
OT Min.	1.0 [mm]
MD Max.	1.0 [mm]
OP [mm]	10.5 ± 0.8

Recent Company News

- [Acquired KSA / ISO 9001:2000](#)
- [Acquired ISO / TS 16949:2002](#)

## 1230-23e

☒ 1230-23e



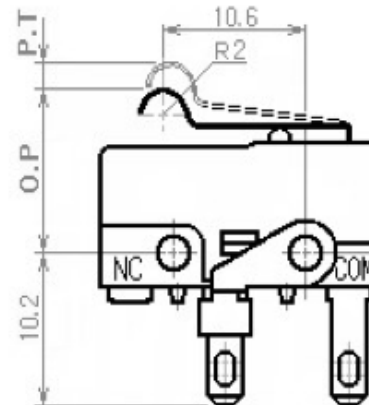
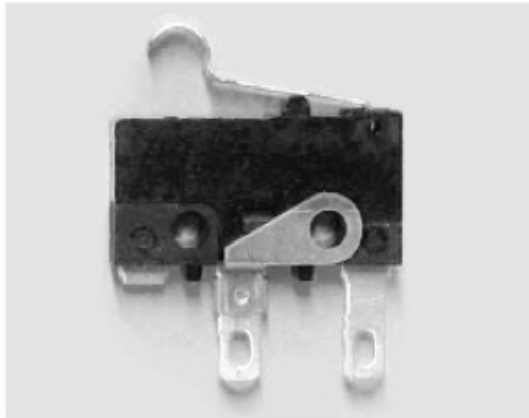
Model	1230 23e
OF Max.	50 [g]
RF Min.	3 [g]
PT Max.	2.8 [mm]
OT Min.	1.0 [mm]
MD Max.	1.0 [mm]
OP [mm]	10.5 ± 0.8

Recent Company News

- [Acquired KSA / ISO 9001:2000](#)
- [Acquired ISO / TS 16949:2002](#)

## 1230-24e

☐ 1230-24e



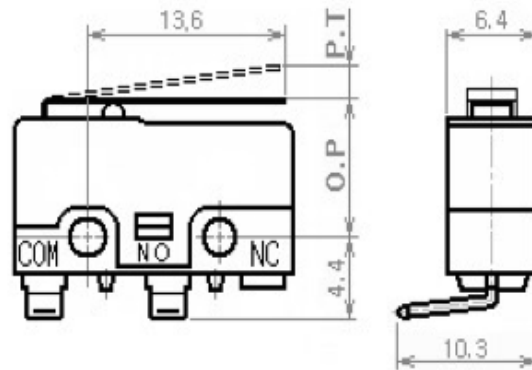
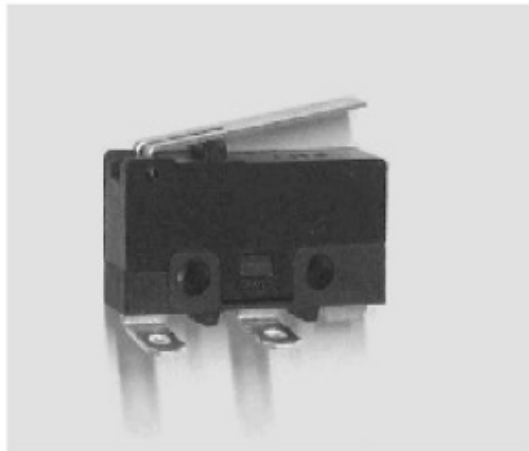
Model	1230 24e
OF Max.	50 [g]
RF Min.	3 [g]
PT Max.	3.0 [mm]
OT Min.	1.0 [mm]
MD Max.	1.0 [mm]
OP [mm]	12.0 ± 1.0

Recent Company News

- [Acquired KSA / ISO 9001:2000](#)
- [Acquired ISO / TS 16949:2002](#)

## 1238-01

☐ 1238-01



### ■ LEFT ANGLE TYPE

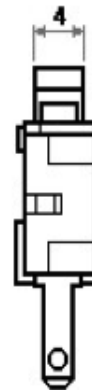
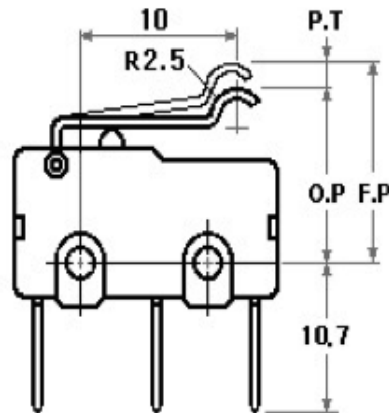
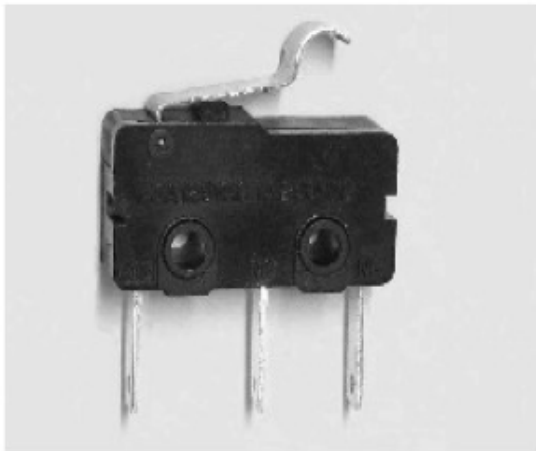
Model	1238 01
OF Max.	50 [g]
RF Min.	3 [g]
PT Max.	3.0 [mm]
OT Min.	1.0 [mm]
MD Max.	1.0 [mm]
OP [mm]	12.0 ± 1.0

Recent Company News

- [Acquired KSA / ISO 9001:2000](#)
- [Acquired ISO / TS 16949:2002](#)

## 2210-04

☐ 2210-04



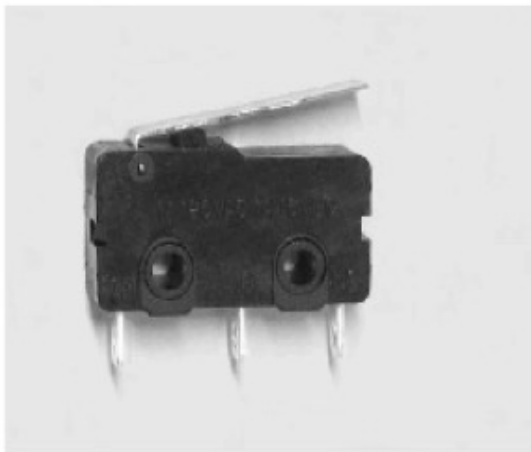
Model	2210 04
OF Max.	35 [g]
RF Min.	5 [g]
PT Max.	2.8 [mm]
OT Min.	1.0 [mm]
MD Max.	0.8 [mm]
OP [mm]	10.8 ± 1.0

Recent Company News

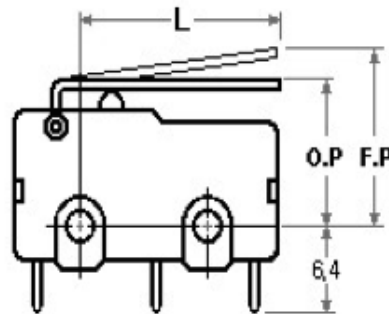
- [Acquired KSA / ISO 9001:2000](#)
- [Acquired ISO / TS 16949:2002](#)

## 2215-01

☐ 2215-01



L : 15, 14, 20, 23,



Model	2215 01
OF Max.	35 [g]
RF Min.	5 [g]
PT Max.	2.5 [mm]
OT Min.	1.0 [mm]
MD Max.	0.8 [mm]
OP [mm]	8.8 ± 0.8

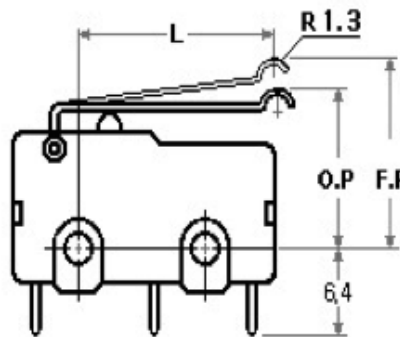
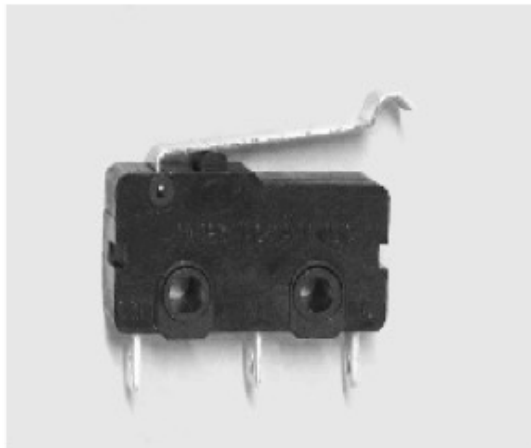


Recent Company News

- [Acquired KSA / ISO 9001:2000](#)
- [Acquired ISO / TS 16949:2002](#)

## 2215-03

☒ 2215-03



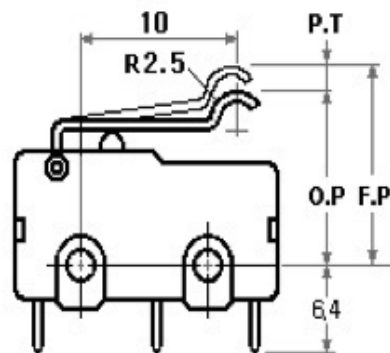
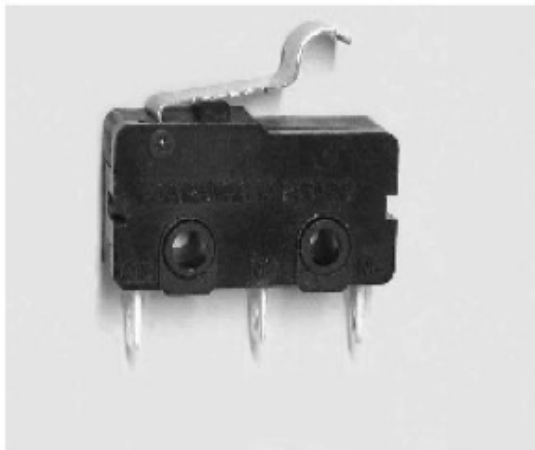
Model	2215 03
OF Max.	35 [g]
RF Min.	5 [g]
PT Max.	2.8 [mm]
OT Min.	1.0 [mm]
MD Max.	0.8 [mm]
OP [mm]	10.2 ± 1.0

Recent Company News

- [Acquired KSA / ISO 9001:2000](#)
- [Acquired ISO / TS 16949:2002](#)

## 2215-04

☰ 2215-04



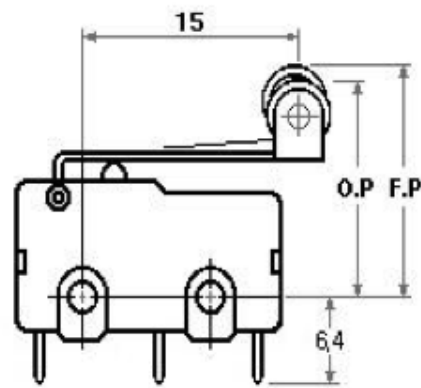
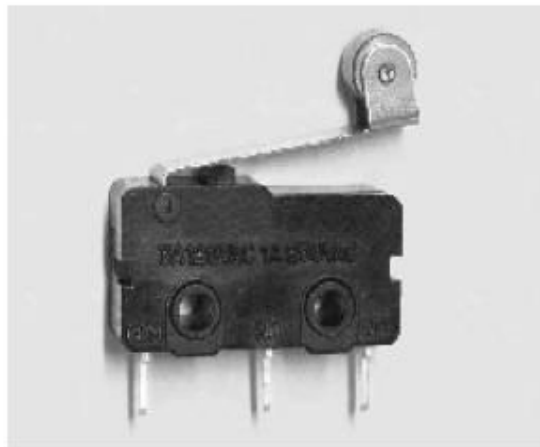
Model	2215 04
OF Max.	35 [g]
RF Min.	5 [g]
PT Max.	2.8 [mm]
OT Min.	1.0 [mm]
MD Max.	0.8 [mm]
OP [mm]	10.8 ± 1.0

Recent Company News

- [Acquired KSA / ISO 9001:2000](#)
- [Acquired ISO / TS 16949:2002](#)

## 2215-05

☰ 2215-05



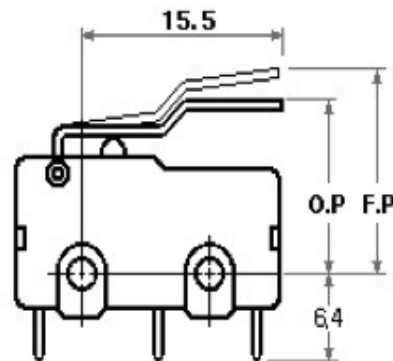
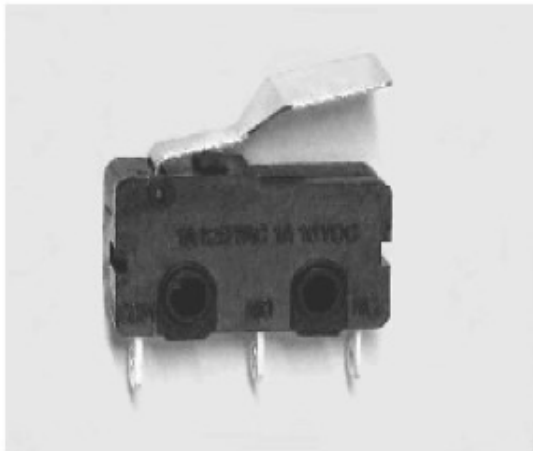
Model	2215 05
OF Max.	35 [g]
RF Min.	5 [g]
PT Max.	2.8 [mm]
OT Min.	1.0 [mm]
MD Max.	0.8 [mm]
OP [mm]	14.5 ± 1.0

Recent Company News

- [Acquired KSA / ISO 9001:2000](#)
- [Acquired ISO / TS 16949:2002](#)

## 2215-08

☒ 2215-08



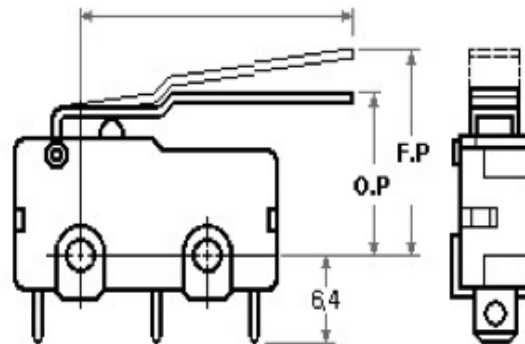
Model	2215 08
OF Max.	35 [g]
RF Min.	5 [g]
PT Max.	2.8 [mm]
OT Min.	1.0 [mm]
MD Max.	0.8 [mm]
OP [mm]	10.8 ± 1.0

## Recent Company News

- [Acquired KSA / ISO 9001:2000](#)
- [Acquired ISO / TS 16949:2002](#)

## 2215-09

☐ 2215-09



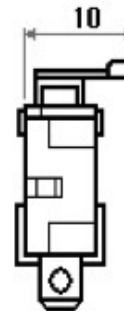
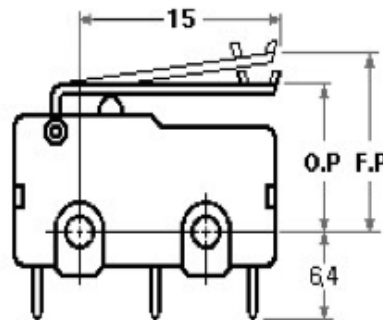
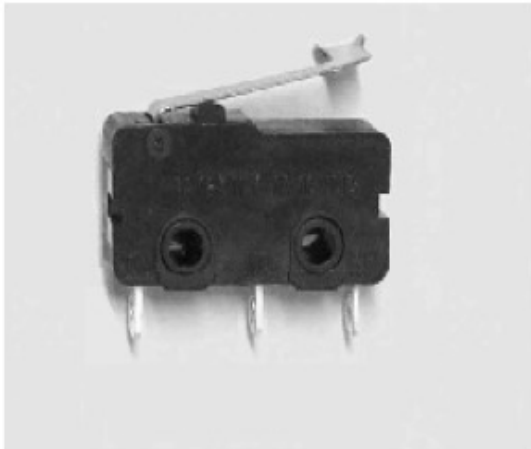
Model	2215 09
OF Max.	35 [g]
RF Min.	5 [g]
PT Max.	2.8 [mm]
OT Min.	1.0 [mm]
MD Max.	0.8 [mm]
OP [mm]	9.8 ± 1.0

Recent Company News

- [Acquired KSA / ISO 9001:2000](#)
- [Acquired ISO / TS 16949:2002](#)

## 2215-10

☐ 2215-10



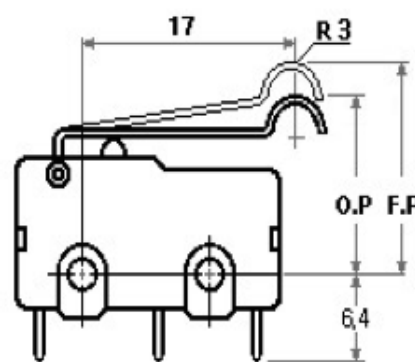
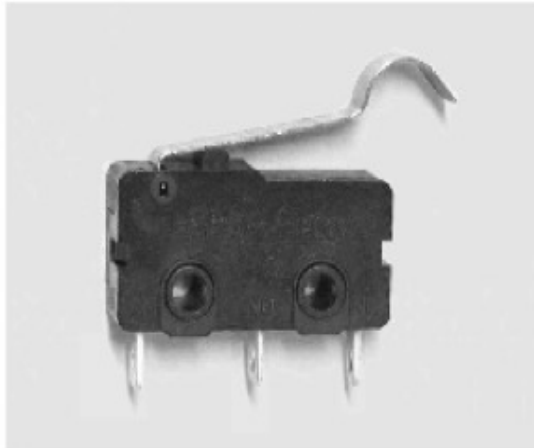
Model	2215 10
OF Max.	35 [g]
RF Min.	5 [g]
PT Max.	2.5 [mm]
OT Min.	1.0 [mm]
MD Max.	0.8 [mm]
OP [mm]	8.8 ± 0.8

Recent Company News

- [Acquired KSA / ISO 9001:2000](#)
- [Acquired ISO / TS 16949:2002](#)

## 2215-13

☰ 2215-13



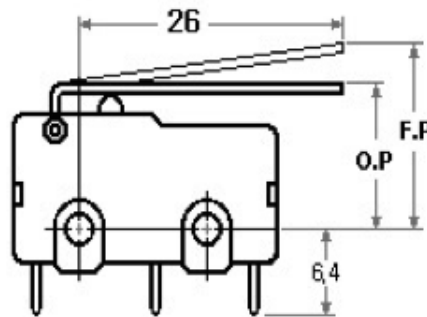
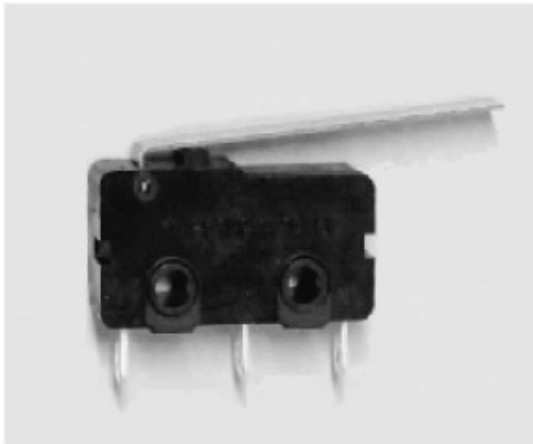
<b>Model</b>	<b>2215 13</b>
<b>OF Max.</b>	<b>35 [g]</b>
<b>RF Min.</b>	<b>5 [g]</b>
<b>PT Max.</b>	<b>2.8 [mm]</b>
<b>OT Min.</b>	<b>1.0 [mm]</b>
<b>MD Max.</b>	<b>0.8 [mm]</b>
<b>OP [mm]</b>	<b>11.2 ± 1.0</b>

Recent Company News

- [Acquired KSA / ISO 9001:2000](#)
- [Acquired ISO / TS 16949:2002](#)

## 2215-31

☰ 2215-31



Model	2215 31
OF Max.	35 [g]
RF Min.	5 [g]
PT Max.	2.5 [mm]
OT Min.	1.0 [mm]
MD Max.	0.8 [mm]
OP [mm]	8.8 ± 0.8

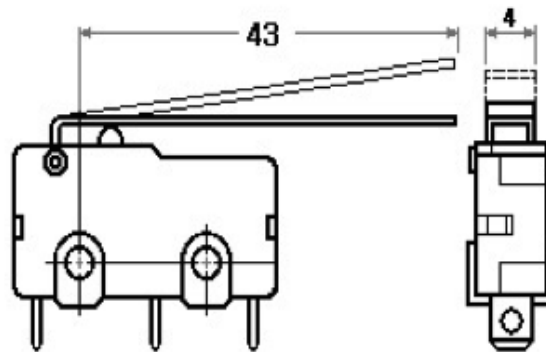
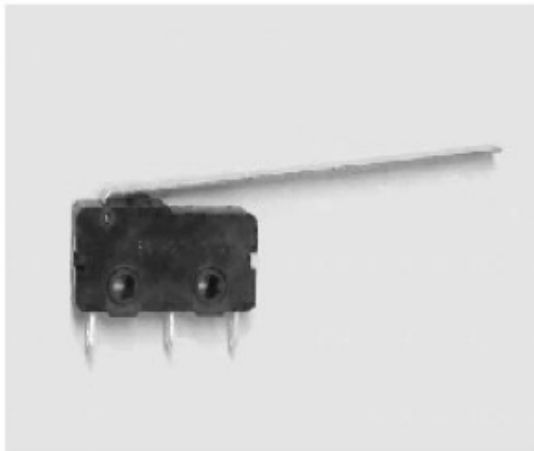


Recent Company News

- [Acquired KSA / ISO 9001:2000](#)
- [Acquired ISO / TS 16949:2002](#)

## 2215-51

☐ 2215-51



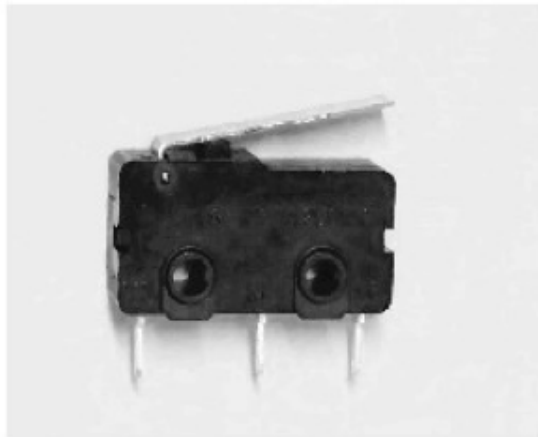
Model	2215 51
OF Max.	35 [g]
RF Min.	5 [g]
PT Max.	2.8 [mm]
OT Min.	1.0 [mm]
MD Max.	0.8 [mm]
OP [mm]	10.2 ± 1.0

Recent Company News

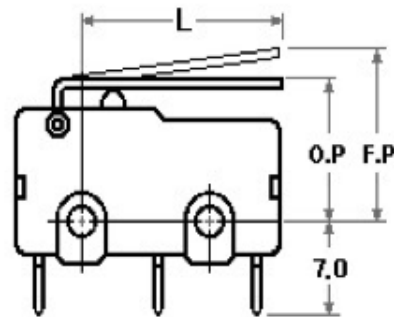
- [Acquired KSA / ISO 9001:2000](#)
- [Acquired ISO / TS 16949:2002](#)

## 2216-01

☐ 2216-01



L : 15, 14, 20, 23, 26.5, 43



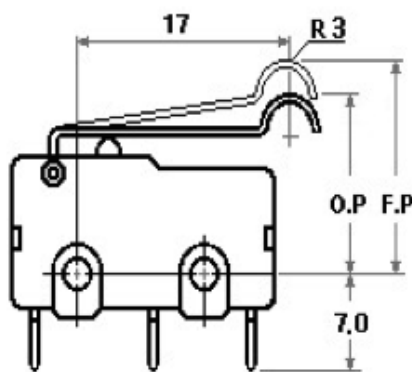
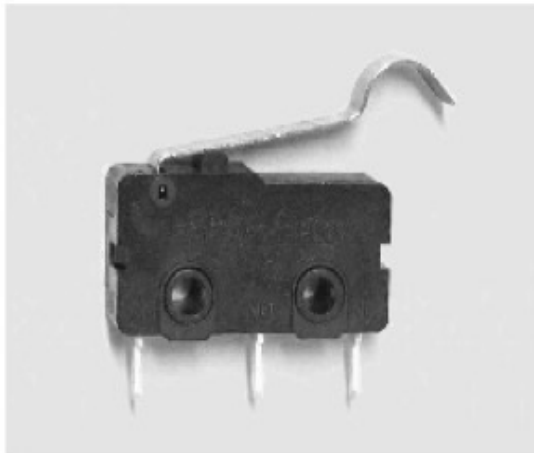
Model	2216 01
OF Max.	35 [g]
RF Min.	5 [g]
PT Max.	2.5 [mm]
OT Min.	1.0 [mm]
MD Max.	0.8 [mm]
OP [mm]	8.8 ± 0.8

Recent Company News

- [Acquired KSA / ISO 9001:2000](#)
- [Acquired ISO / TS 16949:2002](#)

## 2216-13

☐ 2216-13



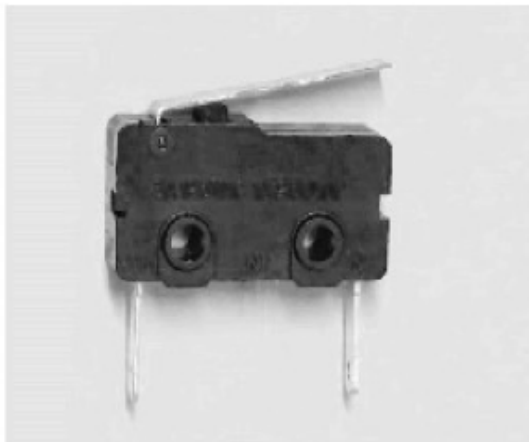
Model	2216 13
OF Max.	35 [g]
RF Min.	5 [g]
PT Max.	2.8 [mm]
OT Min.	1.0 [mm]
MD Max.	0.8 [mm]
OP [mm]	11.2 ± 1.0

Recent Company News

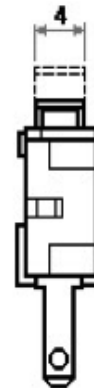
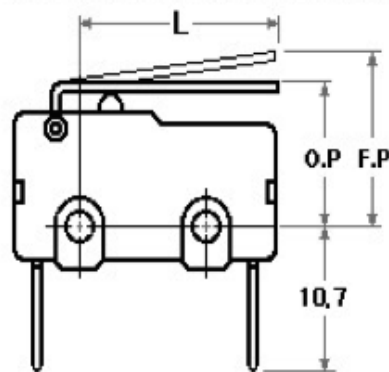
- [Acquired KSA / ISO 9001:2000](#)
- [Acquired ISO / TS 16949:2002](#)

## 2220-01

☰ 2220-01



L : 15, 14, 20, 23, 26.5, 43



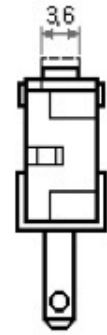
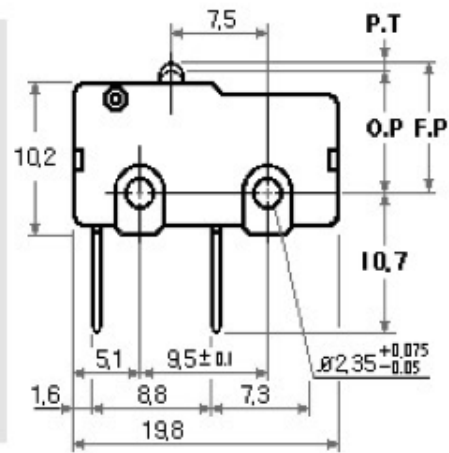
Model	2220 01
OF Max.	35 [g]
RF Min.	5 [g]
PT Max.	2.5 [mm]
OT Min.	1.0 [mm]
MD Max.	0.8 [mm]
OP [mm]	8.8 ± 0.8

Recent Company News

- [Acquired KSA / ISO 9001:2000](#)
- [Acquired ISO / TS 16949:2002](#)

## 2230-00

☰ 2230-00



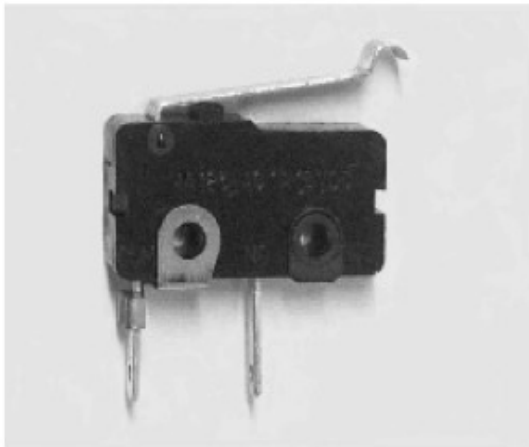
Model	2230 00
OF Max.	200 [g]
RF Min.	20 [g]
PT Max.	0.8 [mm]
OT Min.	0.4 [mm]
MD Max.	0.3 [mm]
OP [mm]	8.4 ± 0.5

Recent Company News

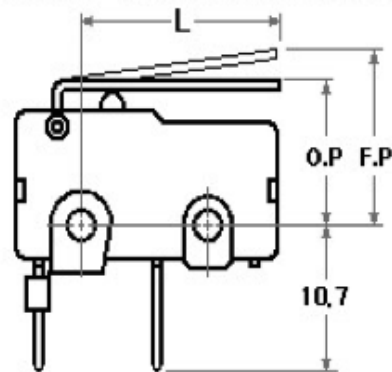
- [Acquired KSA / ISO 9001:2000](#)
- [Acquired ISO / TS 16949:2002](#)

## 2230-03e

☐ 2230-03e



L : 15, 14, 20, 23, 26.5, 43



Model	2230 03e
OF Max.	35 [g]
RF Min.	5 [g]
PT Max.	2.5 [mm]
OT Min.	1.0 [mm]
MD Max.	0.8 [mm]
OP [mm]	8.8 ± 0.8

[Company Info](#)

[CEO Intro](#)

[History](#)

[Our Mission](#)

[Company Products](#)

[Contact Us](#)



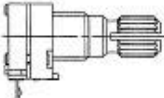
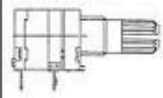
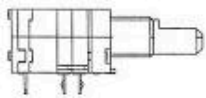
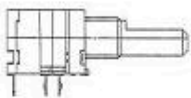
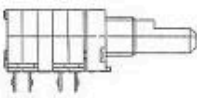
Recent Company News

- [Acquired KSA / ISO 9001:2000](#)
- [Acquired ISO / TS 16949:2002](#)

## Product Catalog

☰ Product Catalog

Click on the image to view diagrams and learn details

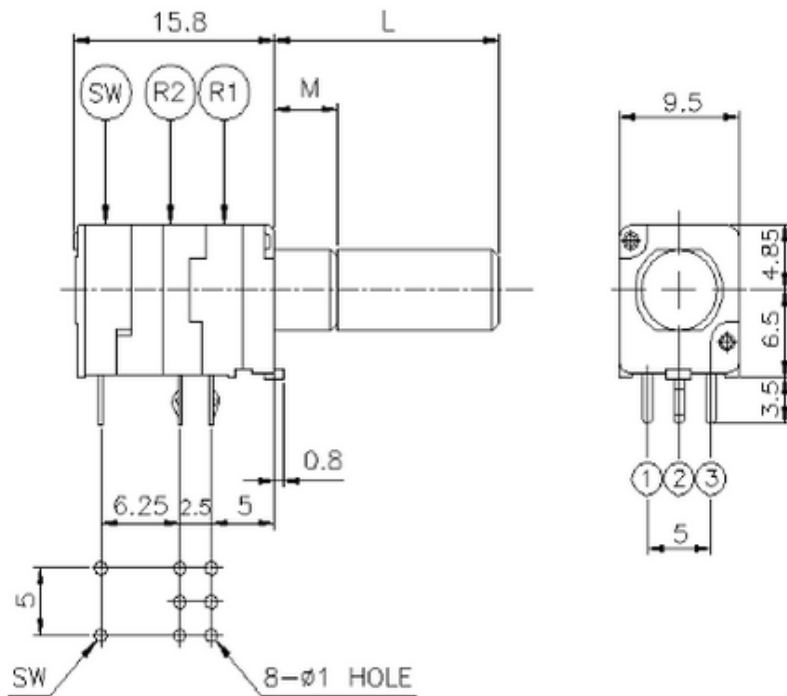
 <p><b>V9MGSRotary</b></p>	 <p><b>V9MSRotary</b></p>	 <p><b>PK093V 15SK</b></p>	 <p><b>PK093CS-1 15SK</b></p>
 <p><b>PK094VS 15F</b></p>	 <p><b>PK094VS-1 15F</b></p>	 <p><b>PK095V 15F</b></p>	

Recent Company News

- [Acquired KSA / ISO 9001:2000](#)
- [Acquired ISO / TS 16949:2002](#)

## v9mgsrotary

v9mgsrotary



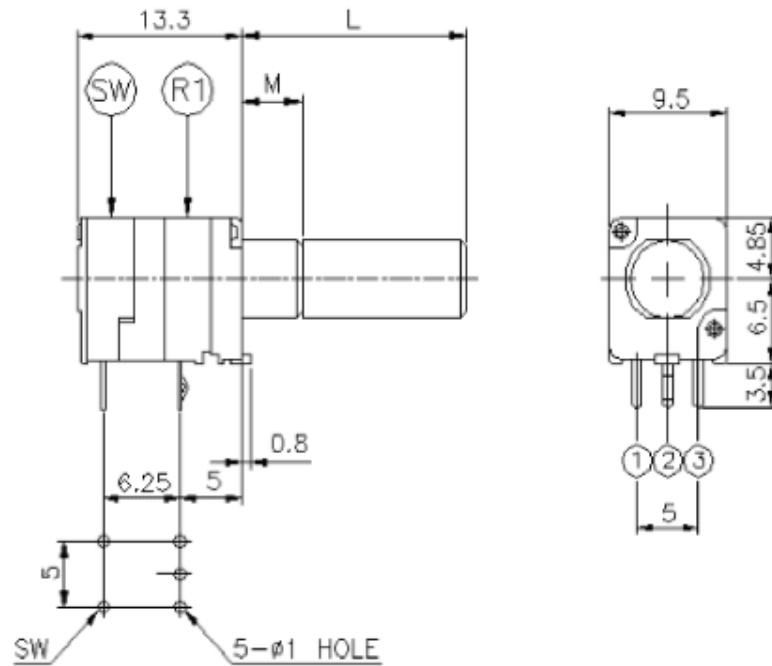


## Recent Company News

- [Acquired KSA / ISO 9001:2000](#)
- [Acquired ISO / TS 16949:2002](#)

## v9msrotary

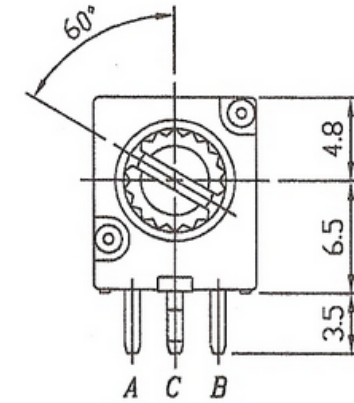
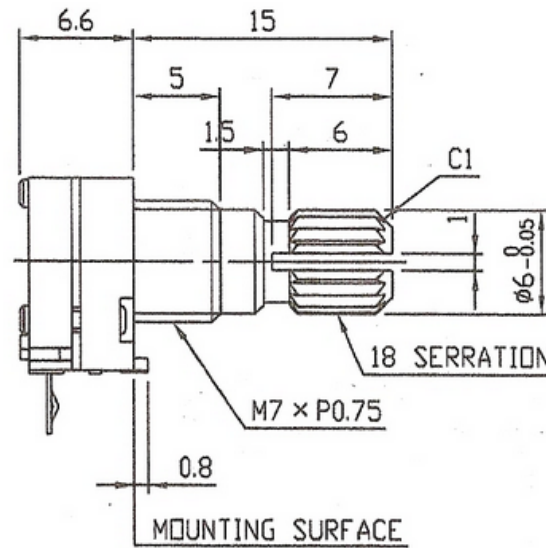
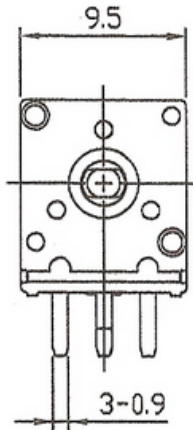
v9msrotary



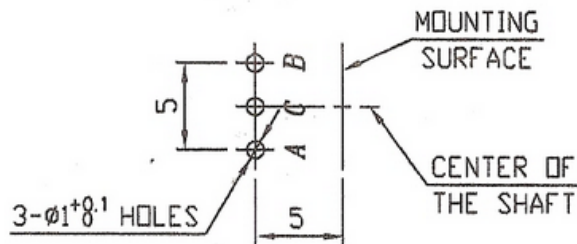
- [Acquired KSA / ISO 9001:2000](#)
- [Acquired ISO / TS 16949:2002](#)

## PK093V 15SK

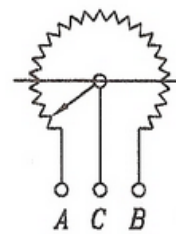
PK093V 15SK



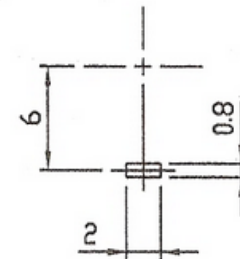
SHAFT SHOWN IN FULL C.C.W POSITION



**P.C.B HOLE POSITION**  
[TOLERANCE : ±0.1]



**CIRCUIT DIAGRAM**

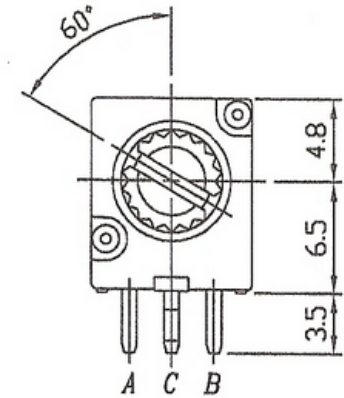
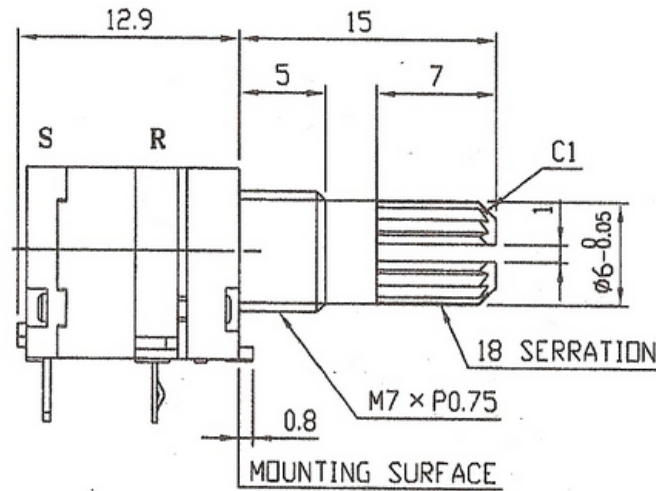
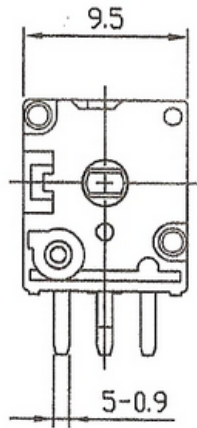


**MOUNTING GUIDE POSITION**

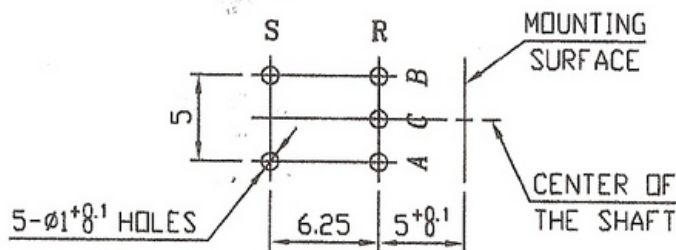
- [Acquired KSA / ISO 9001:2000](#)
- [Acquired ISO / TS 16949:2002](#)

## PK093VS-1 15SK

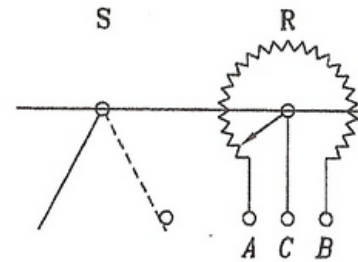
PK093VS-1 15SK



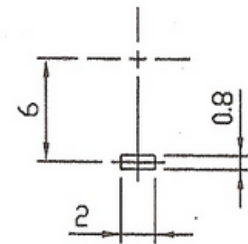
SHAFT SHOWN IN FULL C.C.W POSITION



P.C.B HOLE POSITION  
[TOLERANCE : ±0.1]



CIRCUIT DIAGRAM

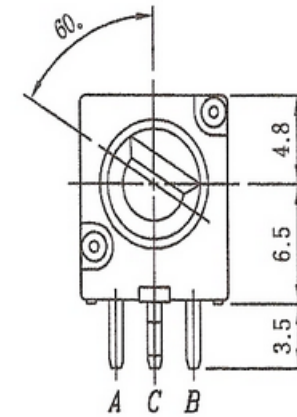
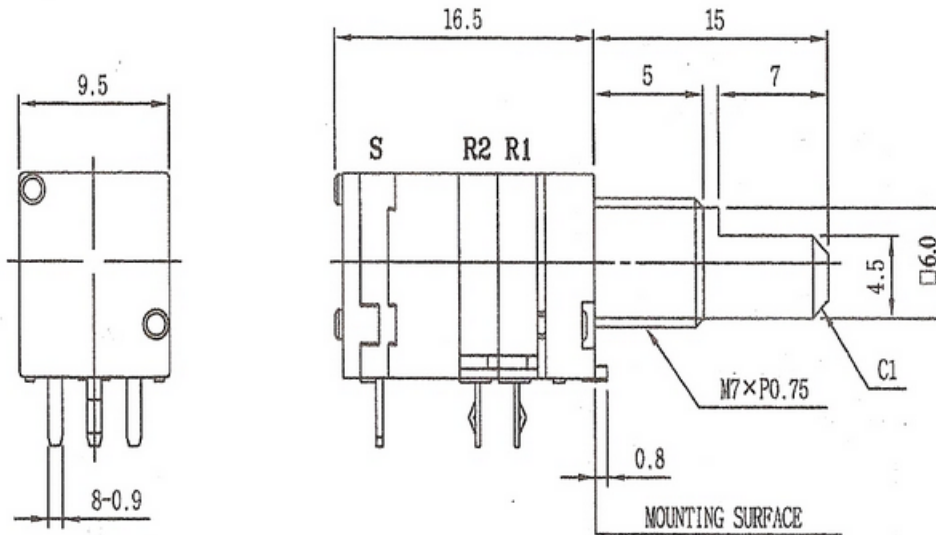


MOUNTING GUIDE POSITION

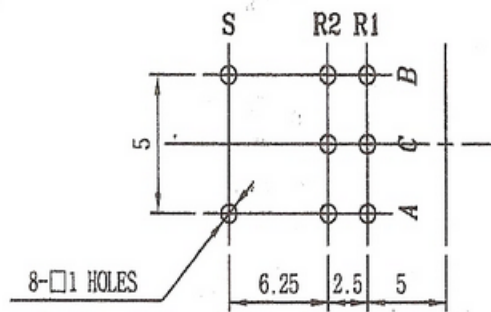
- [Acquired KSA / ISO 9001:2000](#)
- [Acquired ISO / TS 16949:2002](#)

## PK094VS 15F

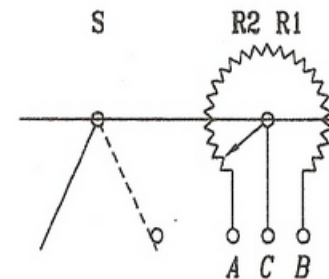
PK094VS 15F



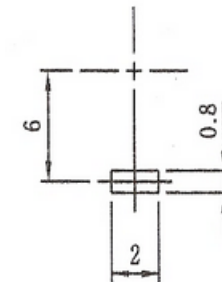
SHAFT SHOWN IN FULL C.C.W POSITION



P.C.B HOLE POSITION



CIRCUIT DIAGRAM

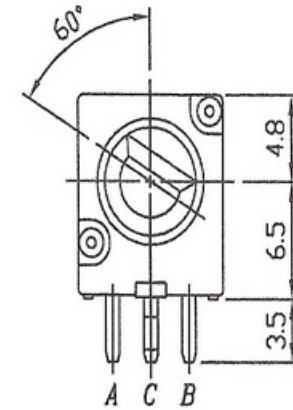
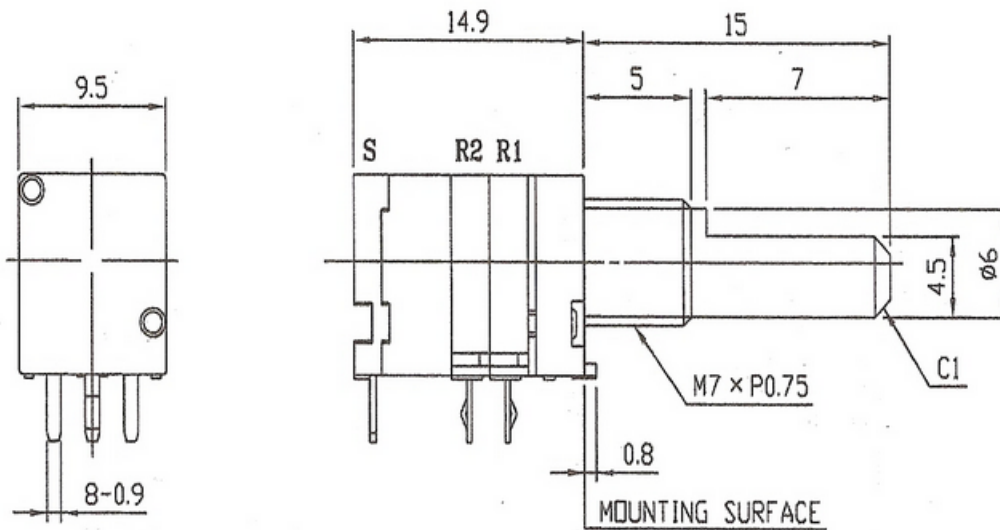


MOUNTING GUIDE POSITION

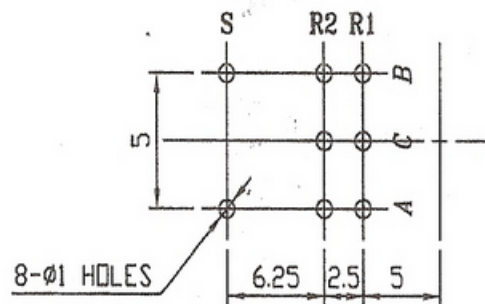
- Acquired KSA / ISO 9001:2000
- Acquired ISO / TS 16949:2002

## PK094VS-1 15F

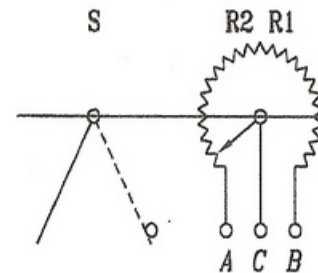
PK094VS-1 15F



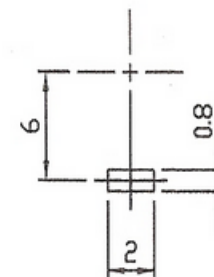
SHAFT SHOWN IN FULL C.C.W POSITION



P.C.B HOLE POSITION



CIRCUIT DIAGRAM

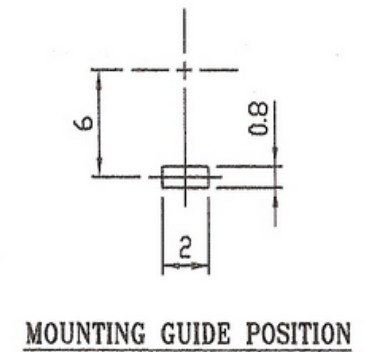
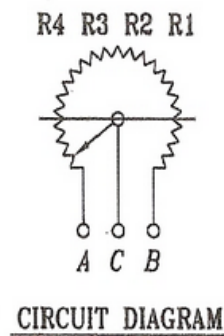
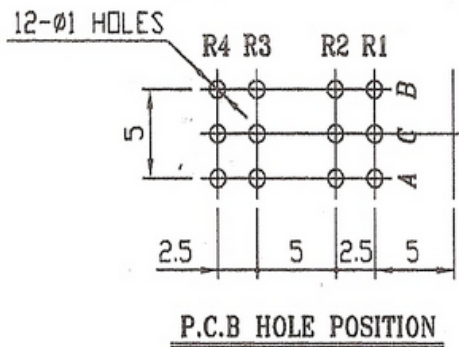
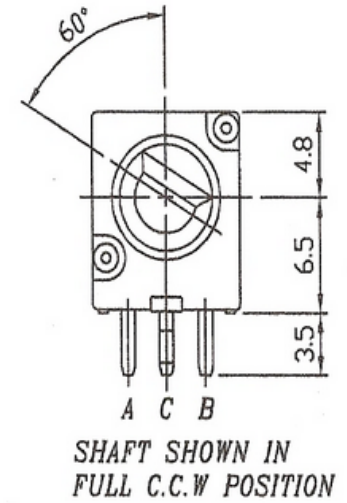
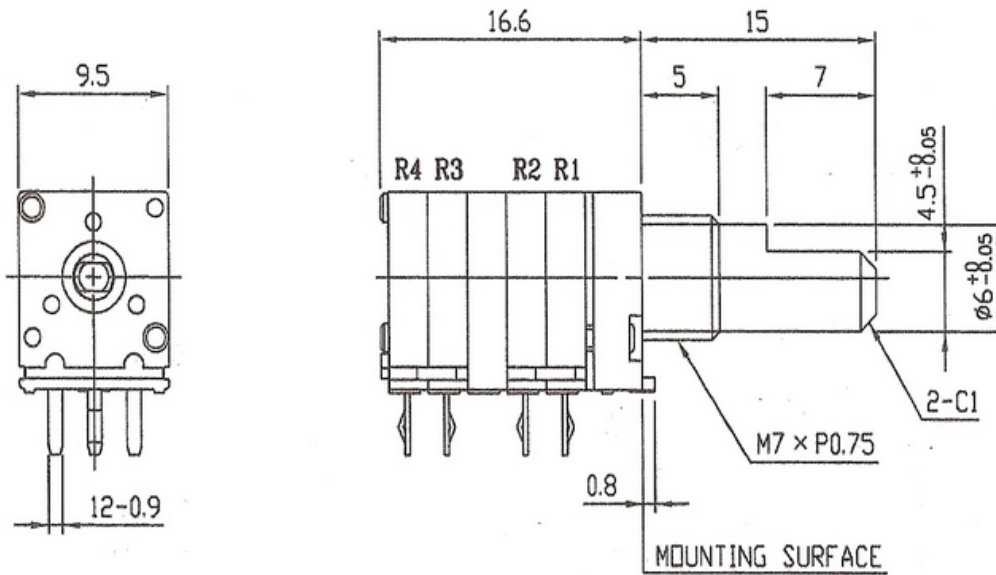


MOUNTING GUIDE POSITION

- [Acquired KSA / ISO 9001:2000](#)
- [Acquired ISO / TS 16949:2002](#)

## PK095V 15F

PK095V 15F



Recent Company News

- [Acquired KSA / ISO 9001:2000](#)
- [Acquired ISO / TS 16949:2002](#)

## Product Catalog

Product Catalog

### Hinges

#### Hinge (4.2 FODER SERIES)



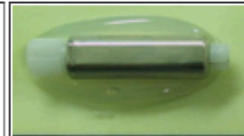





IS42-035L

3.5 kgf.mm

IS42-035L

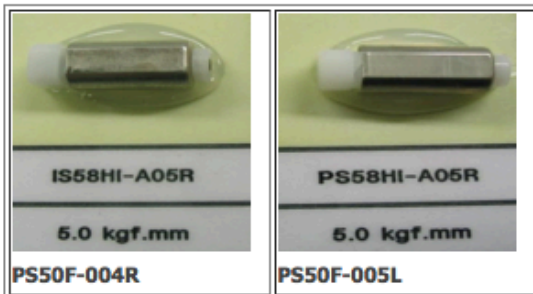
#### Hinge (5.0 CAN SERIES)

 <p>IS50HI-A05R</p> <p>5.0 kgf.mm</p> <p>IS50HI-A05R</p>	 <p>IS50HI-B05R</p> <p>5.0 kgf.mm</p> <p>IS50HI-B05R</p>	 <p>IS50HI-C05R</p> <p>5.0 kgf.mm</p> <p>IS50HI-C05R</p>	 <p>IS50HI-D05R</p> <p>5.0 kgf.mm</p> <p>IS50HI-D05R</p>	 <p>IS50HI-E05R</p> <p>5.0 kgf.mm</p> <p>IS50HI-E05R</p>	 <p>IS50HI-F05R</p> <p>5.0 kgf.mm</p> <p>IS50HI-F05R</p>
---	---	---	--	---	---

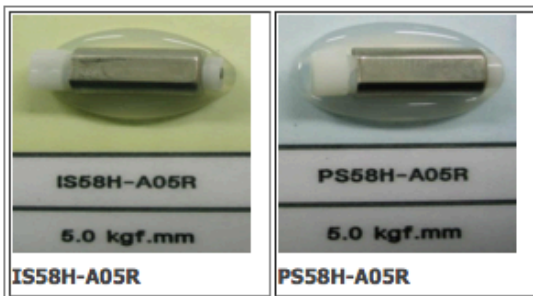
Hinge (5.0 Folder Series)



Hinge (5.8 CAN A INSERT)





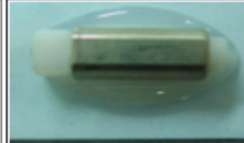


Hinge (5.8 CAN A TYPE)

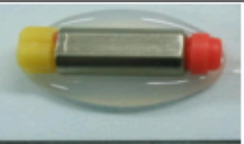
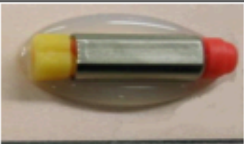






Hinge (5.8 CAN B INSERT TYPE)

				
IS58HI-B04R	IS58HI-B05L	IS58HI-B05R	IS58HI-B06R	PS58HI-B05R
4.0 kgf.mm	5.0 kgf.mm	5.0 kgf.mm	6.0 kgf.mm	5.0 kgf.mm
IS58HI-B04R	IS58HI-B05L	IS58HI-B05R	IS58HI-B06R	PS58HI-B05R

Hinge (5.8 CAN C TYPE)

	
PS58H-C05R	PS58H-C06L
5.0 kgf.mm	6.0 kgf.mm
PS58HI-C05R	PS58HI-C06L







Hinge (5.8 CAN H INSERT)

	
IS58HI-H04R	IS58HI-H05R
4.0 kgf.mm	5.0 kgf.mm
IS58HI-H04R	IS58HI-H05R

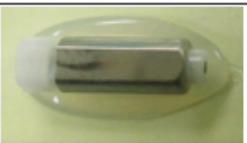

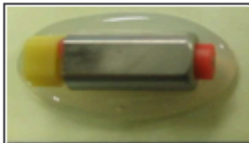

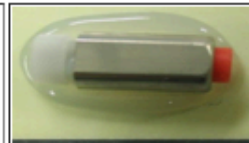

**Hinge (5.8 CAN SERIES)**

				
IS58HI-D04R	IS58HI-D05L	IS58HI-D05R	IS58HI-D06R	PS58HI-D05R
4.0 kgf.mm	5.0 kgf.mm	5.0 kgf.mm	6.0 kgf.mm	5.0 kgf.mm
IS58HI-D04R	IS58HI-D05L	IS58HI-D05R	IS58HI-D06R	PS58HI-D05R

**Hinge (5.8 NUDE SERIES)**

					
IS58-005L	IS58-005R	IS58-045R	PS58-005L	PS58-005R	PS58-045R
5.0 kgf.mm	5.0 kgf.mm	4.5 kgf.mm	5.0 kgf.mm	5.0 kgf.mm	4.5 kgf.mm
IS58-005L	IS58-005R	IS58-045R	PS58-005L	PS58-005R	PS58-045R

**Hinge (6.5 CAN SERIES)**

					
IS65-005R	IS65-006R	IS65I-005R	IS65I-006R	IS65I-C05R	IS65I-C06R
5.0 kgf.mm	6.0 kgf.mm	5.0 kgf.mm	6.0 kgf.mm	5.0 kgf.mm	6.0 kgf.mm
IS65-005R	IS65-006R	IS65I-005R	IS65I-006R	IS65I-C05R	IS65I-C06R









Recent Company News

- [Acquired KSA / ISO 9001:2000](#)
- [Acquired ISO / TS 16949:2002](#)

## Product Application

Product Application

### Microswitches applications

Door Lock	Mice	Automobile Gear Box	Gas Oven
			
Electric Oven	Tooth Brush Sterilizer	Car Safety Belt	Refrigerator
			

### Volume switches applications

Car Stereo and Audio player	Speaker	Walky Talky	Electric Heating Mat
			

### Hinge applications

Cell Phone


Recent Company News

- [Acquired KSA / ISO 9001:2000](#)
- [Acquired ISO / TS 16949:2002](#)

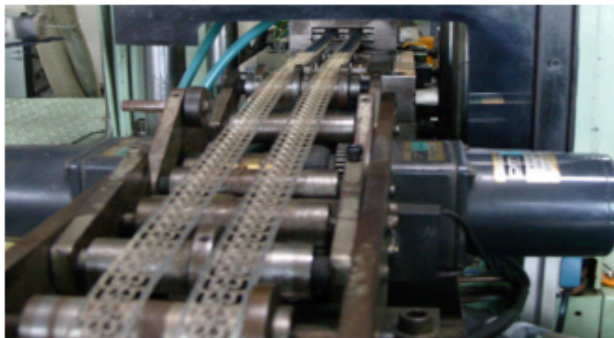
## Development Information

Development Information

### Automatic Assembler



### Automatic Extruder



## Recent Company News

- [Acquired KSA / ISO 9001:2000](#)
- [Acquired ISO / TS 16949:2002](#)

## Contact Infomation

Contact Infomation

Address: Room 209, Anyang Megavalley #799, Gwanyang-dong, Dongan-gu, Anyang-si, Gyeonggi-do 431-767, Korea

Phone: 82-31-420-4611,2

Fax: 82-31-420-4613

Email: [hspark49@gmail.com](mailto:hspark49@gmail.com)

## Map to SW ELECTRONICS CO.,LTD

